

T-30 INTELLI-FLOW™ WATER SAVER Installation Instructions

1.0 GENERAL

The T-30 Intelli-Flow™ WATER SAVER decreases the amount of barrier fluid consumed by a dual seal compared to a typical force circulated barrier system. The unit consists of a thermally activated valve set to a specified temperature to open and close within the temperature range. When utilizing the T30-Intelli-Flow with a Chesterton dual seal, barrier fluid water consumption will be substantially reduced.

2.0 INSTALLATION PROCEDURE

The T-30 Intelli-Flow™ offers a 1/4", 3/8" and 1/2" NPT male fitting for simplified installation on a Chesterton dual seal barrier fluid outlet port. The T-30 Intelli-Flow™ also includes a 1/4" barb fitting for hose connection from the T-30 Intelli-Flow™ outlet port to drain or effluent recovery system.

1. Install the Chesterton dual seal according to the installation instructions.
2. Determine the inlet and outlet barrier ports on the Chesterton dual seal. Reference Figure 1.
3. Install the T-30 Intelli-Flow™ WATER SAVER in the outlet barrier fluid port of the Chesterton dual seal gland. Reference Figure 2.

3.0 MATERIALS / SPECIFICATIONS

Valve Body	303 SS
Thermal Actuator	BRASS
Operating Spring	302 SS
Ram-Type Plug	303 SS
Seat Seal	PTFE
Body Seal	FKM
Hose Adapter 90° Elbow, Male Barbed, (1/4" Hose ID, 1/4" NPT male)	316 SS
Threaded Pipe Fitting 1/2", 3/8" NPT Male X 1/4" NPT Female	316 SS
Outlet Hose (1/4" ID X 1/2" OD, 6 Ft)	BUNA-N
Worm-Drive Hose & Tube Clamp	301 SS

4.0 LIMITS OF OPERATION

Maximum Temperature :	121°C (250°F)
Maximum Pressure :	20.7 BARG (300 PSIG)

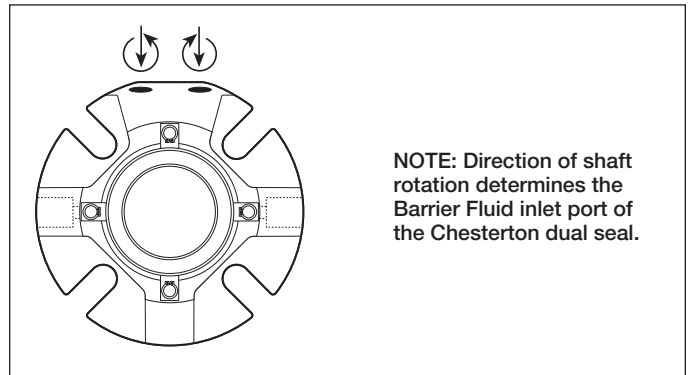


Figure 1 - S20 Piping Inlet for Specific Shaft Rotation

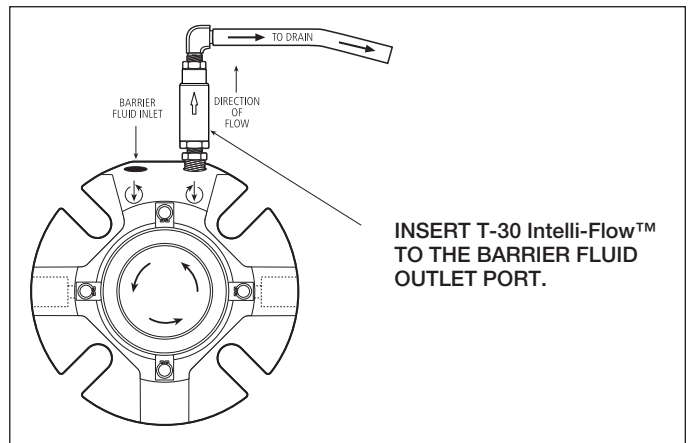


Figure 2 - T-30 Intelli-Flow™ Installation

NOTE:

For optimum performance install T-30 Intelli-Flow™ unit as close to seal gland as possible. Water quality and particulate content may affect the performance of the T-30 Intelli-Flow™ WATER SAVER and Seal.